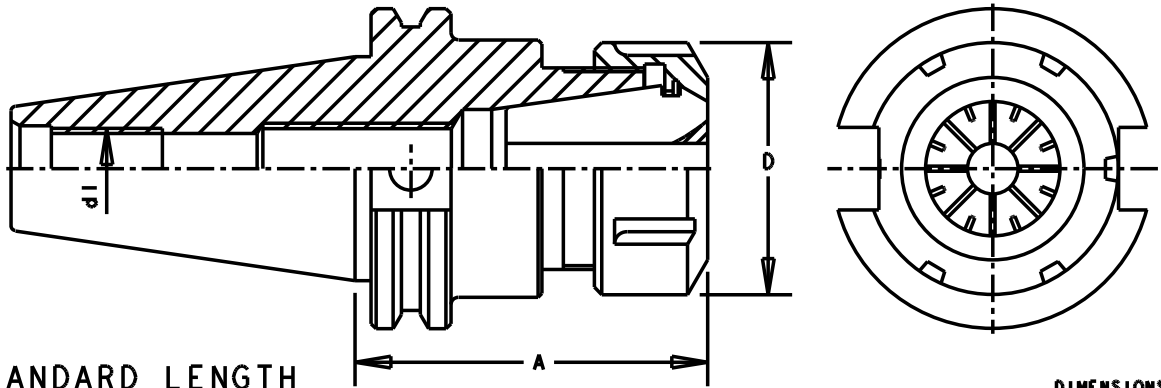


# COLLET CHUCK CT SHANK-ANSI B 5.50 COLLET-DIN 6499



STANDARD LENGTH

DIMENSIONS IN INCH

COLLET CHUCK DESIGNATION	SUITABLE FOR COLLET	COLLET CLAMPING CAPACITY	A	THREAD UNC-2B d1	NUT		SPANNER DESIGNATION
					D	DESIGNATION	
CT30/A3/RD16	RD16	1/16-13/32	3.0	0.500-13	1.08	UM/RD16	GS25
CT30/A3/RD20	RD20	1/16-1/2	3.0	0.500-13	1.26	UM/RD20	GS30
CT30/A3/RD32	RD32	3/32-3/4	3.0	0.500-13	1.88	UM/RD32	E-32
CT40/A3/RD11	RD11	1/16-1/4	3.0	0.625-11	0.63	UM/RD11M	E-11M
CT40/A2.88/RD16	RD16	1/16-13/32	2.88	0.625-11	1.08	UM/RD16	GS25
CT40/A4/RD20	RD20	1/16-1/2	4.0	0.625-11	1.26	UM/RD20	GS30
CT40/A4/RD25	RD25	1/16-5/8	4.0	0.625-11	1.65	UM/RD25	E-25
CT40/A4/RD32	RD32	3/32-3/4	4.0	0.625-11	1.88	UM/RD32	E-32
CT40/A4/RD40	RD40	1/8-1"	4.0	0.625-11	2.48	UM/RD40	E-40
CT45/A3.88/RD16	RD16	1/16-13/32	3.88	0.750-10	1.08	UM/RD16	GS25
CT45/A4/RD20	RD20	1/16-1/2	4.0	0.750-10	1.26	UM/RD20	GS30
CT45/A4/RD32	RD32	3/32-3/4	4.0	0.750-10	1.88	UM/RD32	E-32
CT50/A4.88/RD16	RD16	1/16-13/32	4.88	1.000-8	1.08	UM/RD16	GS25
CT50/A4/RD20	RD20	1/16-1/2	4.0	1.000-8	1.26	UM/RD20	GS30
CT50/A4/RD25	RD25	1/16-5/8	4.0	1.000-8	1.65	UM/RD25	E-25
CT50/A4/RD32	RD32	3/32-3/4	4.0	1.000-8	1.88	UM/RD32	E-32
CT50/A4/RD40	RD40	1/8-1"	4.0	1.000-8	2.48	UM/RD40	E-40

EXTENDED LENGTH

CT40/A4.88/RD16	RD16	1/16-13/32	4.88	0.625-11	1.08	UM/RD16	GS25
CT40/A6/RD20	RD20	1/16-1/2	6.0	0.625-11	1.26	UM/RD20	GS30
CT40/A8/RD20	RD20	1/16-1/2	8.0	0.625-11	1.26	UM/RD20	GS30
CT40/A6/RD25	RD25	1/16-5/8	6.0	0.625-11	1.65	UM/RD25	E-25
CT40/A6/RD32	RD32	3/32-3/4	6.0	0.625-11	1.88	UM/RD32	E-32
CT40/A6/RD40	RD40	1/8-1"	6.0	0.625-11	2.48	UM/RD40	E-40
CT50/A6.88/RD16	RD16	1/16-13/32	6.88	1.000-8	1.08	UM/RD16	GS25
CT50/A6/RD20	RD20	1/16-1/2	6.0	1.000-8	1.26	UM/RD20	GS30
CT50/A8/RD20	RD20	1/16-1/2	8.0	1.000-8	1.26	UM/RD20	GS30
CT50/A6/RD25	RD25	1/16-5/8	6.0	1.000-8	1.65	UM/RD25	E-25
CT50/A6/RD32	RD32	3/32-3/4	6.0	1.000-8	1.88	UM/RD32	E-32
CT50/A8/RD32	RD32	3/32-3/4	8.0	1.000-8	1.88	UM/RD32	E-32
CT50/A6/RD40	RD40	1/8-1"	6.0	1.000-8	2.48	UM/RD40	E-40

NOTE: • DETAILS ARE GIVEN ABOVE FOR COLLET CHUCKS WITH CT SHANK ONLY.

• COLLET CHUCK WITH OTHER TYPES OF SHANK VIZ SK, TC & BT, ARE ALSO OFFERED, PLEASE SEE SEPARATE SHEET.

• COLLET CHUCKS ARE OFFERED WITH NUT.

• RD COLLETS ARE SAME AS ER COLLETS CONFORMING TO DIN 6499 FORM B

ORDERING INSTRUCTION

CT40/A3/RD32

SHANK TYPE

COLLET TYPE

GAUGE PLANE LENGTH A