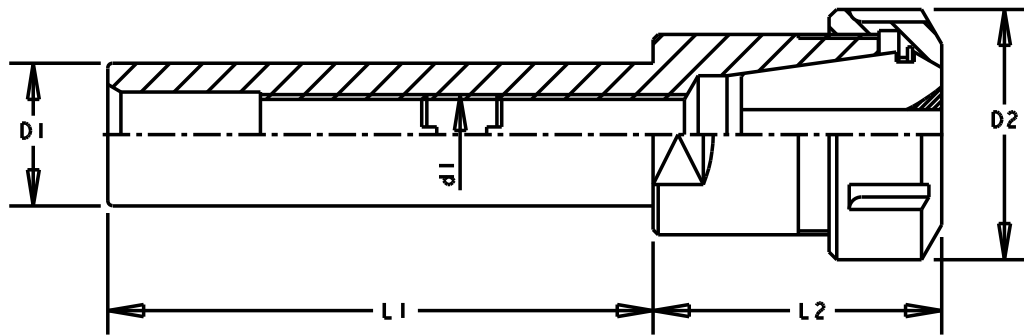


CYLINDRICAL COLLET CHUCK (BABY CHUCK)



DIMENSIONS IN MM

CYLINDRICAL COLLET CHUCK DESIGNATION	SUITABLE FOR COLLET	COLLET CLAMPING CAPACITY	D1	NUT		d1	L1	L2	SPANNER DESIGNATION
				D2	DESIGNATION				
CYL8/RD8M/56	RD8	0.5-5	8	12	UM/RD8M	-	56	23	E-8M
CYL8/RD8M/80	RD8	0.5-5	8	12	UM/RD8M	-	80	23	E-8M
CYL8/RD11M/56	RD11	0.5-7	8	16	UM/RD11M	-	56	30	E-11M
CYL12/RD11M/100	RD11	0.5-7	12	16	UM/RD11M	-	100	30	E-11M
CYL12/RD16M/80	RD16	0.5-10	12	22	UM/RD16M	-	80	40	E-16M
CYL16/RD16/60	RD16	0.5-10	16	28	UM/RD16	M8x1	60	37	GS-25
CYL20/RD16/50	RD16	0.5-10	20	28	UM/RD16	M12x1	50	37	GS-25
CYL20/RD16/100	RD16	0.5-10	20	28	UM/RD16	M12x1	100	37	GS-25
CYL16/RD20M/100	RD20	1.0-13	16	28	UM/RD20M	M8x1	100	46	E-20M
CYL20/RD20/60	RD20	1.0-13	20	34	UM/RD20	M12x1	60	41	GS-30
CYL20/RD20/100	RD20	1.0-13	20	34	UM/RD20	M12x1	100	41	GS-30
CYL20/RD25/100	RD25	1.0-16	20	42	UM/RD25	M12x1	100	47	E-25
CYL25/RD25/50	RD25	1.0-16	25	42	UM/RD25	M18x1.5	50	47	E-25
CYL25/RD25/100	RD25	1.0-16	25	42	UM/RD25	M18x1.5	100	47	E-25
CYL20/RD32/50	RD32	2.0-20	20	50	UM/RD32	M12x1	50	58	E-32
CYL20/RD32/100	RD32	2.0-20	20	50	UM/RD32	M12x1	100	58	E-32
CYL25/RD32/50	RD32	2.0-20	25	50	UM/RD32	M18x1.5	50	58	E-32
CYL40/RD32/80	RD32	2.0-20	40	50	UM/RD32	M22x1.5	80	58	E-32
CYL25/RD40/50	RD40	3.0-26	25	63	UM/RD40	M18x1.5	50	60	E-40
CYL40/RD40/75	RD40	3.0-26	40	63	UM/RD40	M22x1.5	75	60	E-40

NOTE:

- CYL. COLLET CHUCKS ARE OFFERED WITH NUT.
- PLACE SEPARATE ORDER FOR SPANNERS.
- THE FOLLOWING CAN BE SUPPLIED ON REQUEST.:
 - CYL. COLLET CHUCKS WITH FLAT ON SHANK FOR CLAMPING
 - CYL. COLLET CHUCKS WITH OTHER SHANK DIAMETERS AND SHANK LENGTHS.
- THE SHANK DIAMETER D1 CAN BE MADE AVAILABLE IN INCH SIZES.

ORDERING INSTRUCTION

CYL20/RD16/50

SHANK DIA D1

SHANK LENGTH L1

COLLET TYPE