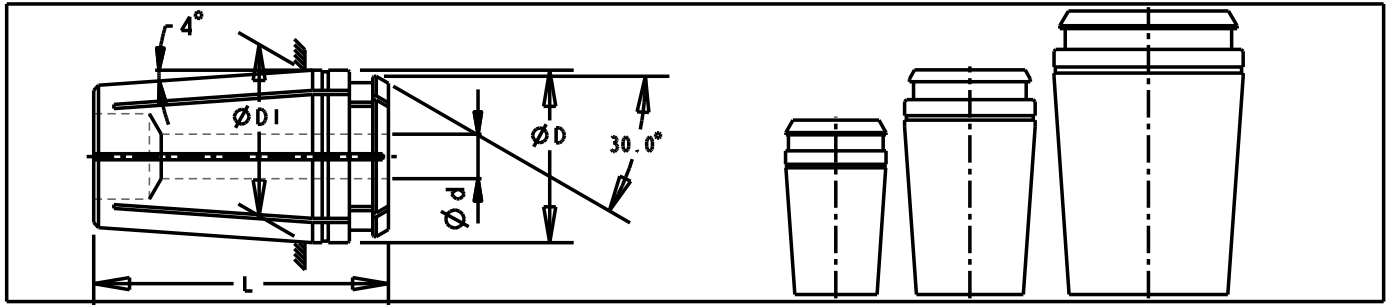


RDG COLLETS

Interchangeable with
TG Type Collets



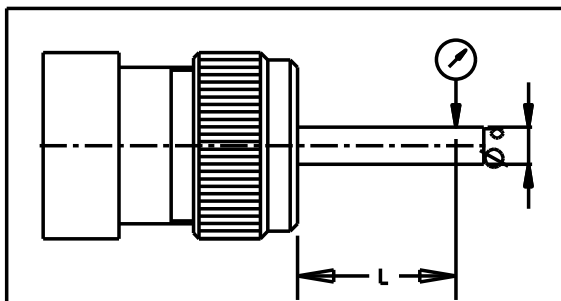
Type of Collet	ØD	ØD1	L	BORE				Collet Collapses by		
				Ød		In step of		Type	Inch	mm
				Inch	mm	Inch	mm			
				From - To	From - To					
RDG75	27.002	26.695	46.830	1/16-11/32	1.5-9.0	1/64	0.50	C/B*	1/64	0.50
				23/64-3/4	9.5-19.0					
RDG100	35.026	35.000	60.325	1/16-43/64	1.5-17.0	1/64	0.50	C/B	1/64	0.50
				11/16-1	17.5-25.0					
RDG150	50.825	50.698	76.200	1/2-1 13/32	12.5-35.5	1/64	0.50	C/B	1/64	0.50
				27/64-1 1/2	36.0-38.0					

* C/B = Counterbore, T/B = Throughbore

Also available are:

1. Sealed collets for coolant through application
2. Any other bore size on request at extra cost
3. High precision/Ultra precision collet on request at extra cost

RUNOUT DETAILS:



Dia-d mm	Length-L mm (Min.)	# Tolerance mm-TIR (Max.)		
		Precision(-)	High Precision(HP)	Ultra Precision(UP)
1.0-1.6	6.0	0.015	0.010	0.005
>1.6-3.0	10.0	0.015	0.010	0.005
>3.0-6.0	16.0	0.015	0.010	0.005
>6.0-10.0	25.0	0.015	0.010	0.005
>10.0-18.0	40.0	0.020	0.015	0.005
>18.0-26.0	40.0	0.020	0.015	0.005
>26.0-40.0	40.0	0.020	0.015	0.005

Ordering Instruction: RDG100-1/4"-HP

Collet type Bore size # Tolerance range