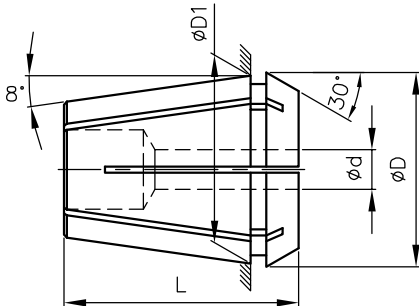
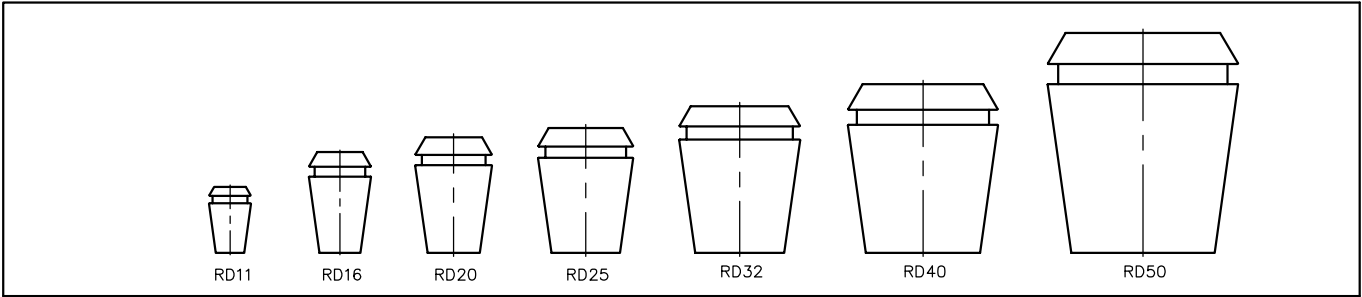


RD COLLETS (ER TYPE)

DIN 6499-FORM A



TYPE OF COLLET	ϕD	$\phi D1$	L	BORE DETAILS						
				ϕd BORE RANGE				IN STEP OF		TYPE
				MM		INCH		MM	INCH	
				FROM	To	FROM	To			
RD11	11.6	11.0	18.0	1.0	2.5	1/16	7/64	0.5	1/64	C/B *
				3.0	7.0	1/8	9/32			T/B *
RD16	17.1	16.0	27.5	1.0	4.0	1/16	3/16	1.0	1/32	C/B
				5.0	10.0	13/64	13/32			T/B
RD20	21.1	20.0	31.5	1.0	6.0	3/64	17/64	1.0	1/32	C/B
				7.0	13.0	15/64	33/64			T/B
RD25	26.1	25.0	34.0	2.0	7.0	3/64	19/64	1.0	1/32	C/B
				8.0	16.0	5/16	41/64			T/B
RD32	33.1	32.0	40.0	2.0	7.0	3/64	19/64	1.0	1/32	C/B
				8.0	20.0	5/16	51/64			T/B
RD40	41.1	40.0	46.0	3.0	8.0	1/8	11/32	1.0	1/32	C/B
				9.0	30.0	23/64	1 3/16			T/B
RD50	52.1	50.0	60.0	12.0	34.0	1/2	1 3/8	2.0	5/64	T/B

* C/B = Counterbore, T/B = Throughbore

Also available are:

1. Sealed collets for coolant through application (For details refer page no.11)
2. Any other bore size on request at extra cost

Note:

- A. To be used for nominal dia shank only
- B. For Runout details refer page no. 6

Ordering Instruction:

