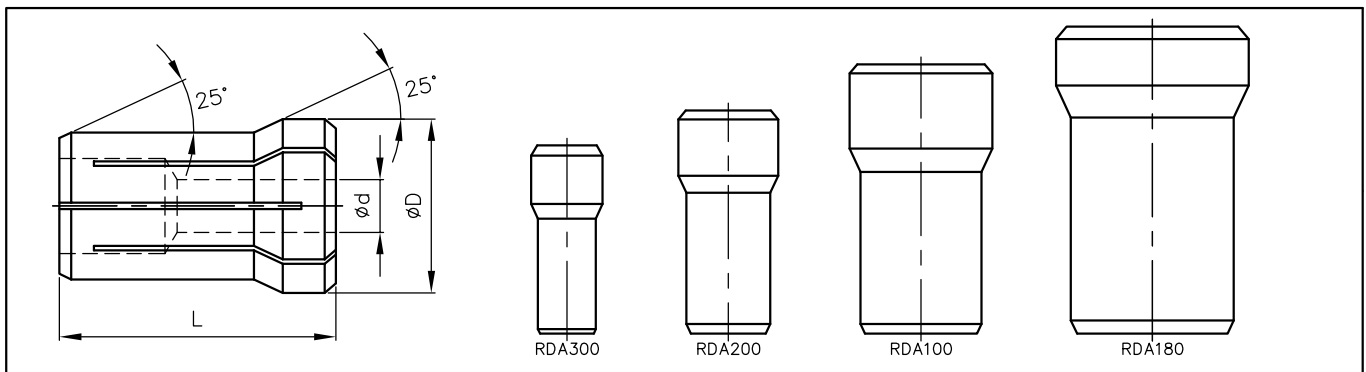


RDA COLLETS

Double angle collets



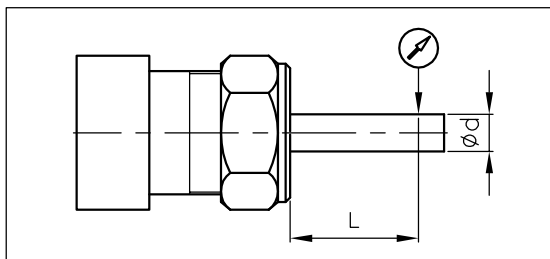
TYPE OF COLLET	øD	L	BORE DETAILS						COLLET COLLAPSES BY		NO OF PCS/SET		
			ød BORE RANGE				IN STEP OF		TYPE	INCH	MM	MM	INCH
			INCH		MM		INCH	MM					
			FROM	To	FROM	To							
RDA300	9.5	25.5	1/16	3/16	1.0	4.5	1/64	0.50	C/B *	1/64	0.50	11	13
			13/64	1/4	5.0	6.0							
RDA200	13.5	30.4	1/16	9/32	1.0	7.0	1/64	0.50	C/B	1/64	0.50	18	21
			19/64	3/8	7.5	9.5							
RDA100	19.47	36.7	1/16	7/16	2.0	11.0	1/64	0.50	C/B	1/64	0.50	25	33
			29/64	9/16	11.5	14.0							
RDA180	26.045	41.7	1/8	5/8	3.0	16.0	1/64	0.50	C/B	1/64	0.50	33	44
			41/64	3/4	16.5	19.0							

* C/B = Counterbore, T/B = Throughbore

Also available are:

1. Any other bore size on request at extra cost
2. High precision collet on request at extra cost

RUNOUT DETAILS:



CLAMPING RANGE ød (mm)		L (mm)	RUNOUT (TIR) mm		RUNOUT (TIR) Inch	
ABOVE	UPTO		PRECISION	HIGH PRECISION	PRECISION	HIGH PRECISION
1.0	5.0	4xD	0.025	0.015	0.001"	0.0006"
5.0	19.0	25.0	0.025	0.015	0.001"	0.0006"

Ordering Instruction:

